

PURKEYS

A MISSION CRITICAL ELECTRONICS BRAND

DELIVERY TRUCK ALARM

INSTALLATION GUIDE





CONTENTS

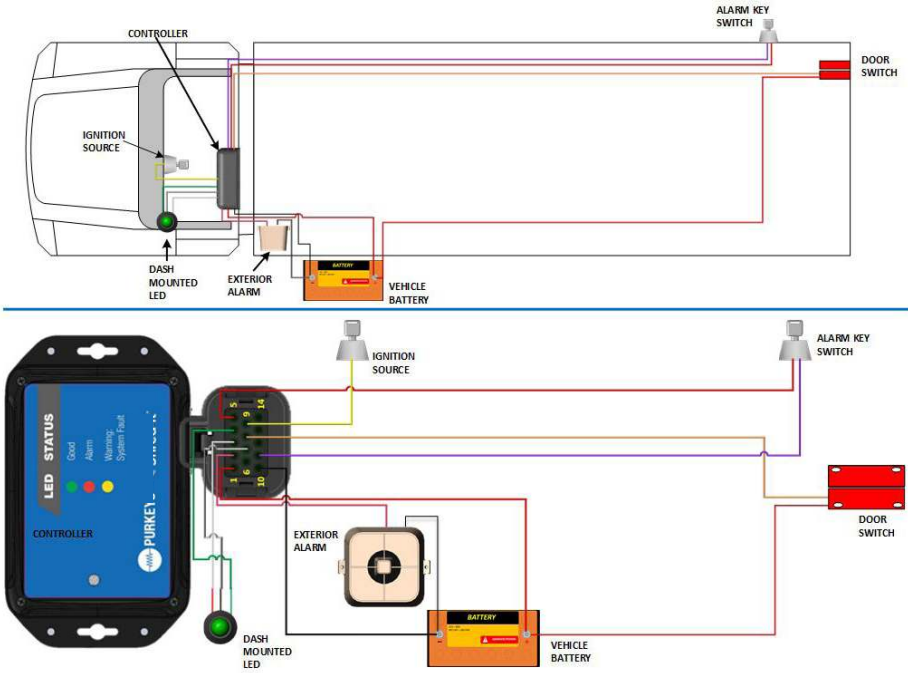
| | |
|--|----|
| General Information | 2 |
| Diagram | 3 |
| Module Installation | 4 |
| Main Harness Routing..... | 4 |
| LED/Ignition Installation | 6 |
| 12 Volt Power and Buzzer Installation..... | 7 |
| Main Harness/Sensor Power Routing..... | 8 |
| Key Switch Installation | 9 |
| Key Switch/Door Sensor Wiring..... | 10 |
| Door Switch Installation..... | 11 |
| LED Alarm Logic | 13 |
| Limited Commercial Warranty Policy..... | 17 |

GENERAL INFORMATION

The Purkeys SafeFreight delivery truck alarm system provides an audible alarm if the roll-up door on a vehicle is opened without authorization.

SAFEFREIGHT INSTALLATION GUIDE

DIAGRAM



MODULE INSTALLATION

Step 1: Locate a spot behind the driver seat to mount the control module.

Step 2: Use mounting screws to fasten the module to the truck.



Installation Complete.

MAIN HARNESS ROUTING

Step 1: Lift up the door trim that runs along the driver door.



Step 2: Begin routing the harness under the seat belt, along the track where the door trim will be replaced back and through behind the kick panel of the truck.



Seat Belt

Kick Panel

SAFEFREIGHT INSTALLATION GUIDE

Step 3: All wires with exception of the LED wires and Ignition wire will travel through the firewall.



LED Wires

Ignition Wire



Harness pushed through firewall grommet already on truck.

Installation Complete.

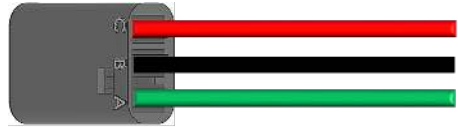
LED/IGNITION INSTALLATION

Step 1: Locate a spot on the dashboard of the vehicle where the driver can see the LED, but not be distracted by it while driving. Drill an appropriate hole to place the LED.



Step 2: Plug the LED wires into the connector as shown.

- A - Green
- B - Black
- C - Red



Step 3: Identify a good ignition source by identifying a wire that gets a consistent 12 volt signal when the key is turned to the ignition/on position (or to any position other than "off").

Step 4: Splice the wire labeled Ignition from the main harness to the wire found from previous step.



Yellow ignition wire spliced into ignition switch.

Installation Complete.

SAFEFREIGHT INSTALLATION GUIDE

12 VOLT POWER AND BUZZER INSTALLATION

Step 1: Connect the two wires from the main harness that are labeled Module Power, to the closest battery power and ground sources available. Make sure to route wires out of the way of moving parts.



Step 2: Mount the buzzer in a location outside the truck that is between the truck cab and the truck battery box.



Step 3: Connect the buzzer ground to the truck battery ground and the positive to the main harness (quick connector).

Installation Complete.

MAIN HARNESS/SENSOR POWER ROUTING

Step 1: Take the jacketed two-conductors and connect one end to the truck batteries. Remove fuse from fuse holder until after installation of the door sensor. After doing so, take the conductor and group it with the wires that are left to be routed from the main harness (key switch wires, and door sensor wire).

Step 2: Route the wires down the channel of the truck. Wire tie with existing wires or fasten wires with provided clamps. Avoid sharp edges.



Installation Complete.

SAFEFREIGHT INSTALLATION GUIDE

KEY SWITCH INSTALLATION

Step 1: Find a good spot on the side of the truck near the back where the door access key will be installed.

Step 2: Drill a hole that the key switch can be mounted through.



Step 3: Install the key switch in the hole.



Installation Complete.

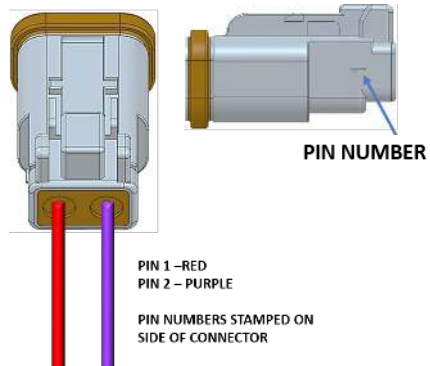
KEY SWITCH/DOOR SENSOR WIRING

Note: **All wires have been preterminated to eliminate crimping.** Extra terminals have been supplied in case terminals are damaged during wire/cable routing.

Step 1: If wiring was routed from inside of the box of the truck, bring the wiring down to the bottom of the box. There is a red wire, purple wire, and orange wire, in addition to a two-conductor cable with red and black wires for the door sensor. If wiring was routed outside of the box truck all the way to the back, a hole will need to be drilled in the area described (very back of the box by the door rail).



Step 2: The red and purple wires should have the mating connector to the key switch added (wires have been preterminated). Then connect the two connectors together. Use supplied clamps to reinforce routing of wire.



Installation Complete.

SAFEFREIGHT INSTALLATION GUIDE

DOOR SWITCH INSTALLATION

The included door switch is a magnetically actuated interlock switch that is “normally open” until both pieces align (which provides electric conductivity between input and output power). The intent of this switch is to determine when the vehicle door is open or closed.

The switch is NOT polarity sensitive and it has two main pieces. The piece with cabling is the part that will be mounted in a stationary position. The other piece will be mounted to the door.

The switch will include the manufacturer’s installation instructions and installation MUST obey what is stated by Honeywell.

Step 1: Observe the vehicle door setup and determine where each component can be installed without being damaged. TIP: It is best to choose the placement of the parts when the door is CLOSED.

Step 2: Mount the “SWITCH” in the location chosen in Step 1.

Step 3: Place the “ACTUATOR” where the parts will be aligned when the vehicle door is closed.

- The switch should make an audible “click” when both parts are aligned properly.
- A continuity test on the two wires connected to the switch will also make sure the parts are aligned properly. If there is an ohm reading, the switch is actuated and the circuit is closed, which means the parts are properly mounted. If there is no ohm reading, the switch is open and the mounting location will need to be adjusted.

NOTE: The picture shows the orientation that will provide the best functional reliability for this switch.



Step 4: Mount the actuator in the location determined in the previous step.

Step 5: Splice the orange wire from the main harness to one of the two wires (it does not matter which one). Splice the remaining wire to the red wire from the black conductor. Solder and heat shrink each connection. See diagram on page 3 for further clarity.

It is highly recommended that you double check the following:

- The actuator and switch align when the door is closed.
- The actuator and switch are not too far apart to trigger switching. The ideal distance is $\sim 0.25''$.
- The actuator and switch will not be damaged with regular use of the vehicle door.

Installation Complete.



SAFEFREIGHT INSTALLATION GUIDE

LED LOGIC

| LED/Alarm Status | | Logic | |
|---|---|--|--|
| Inside Cab | Outside Cab | | |
|  Green LED blinking |  Green light blinking | Default OKAY Conditions: Ignition Off Door Access Key..... Armed Door (sensor)..... Closed Siren Status..... Okay Door Sensor Status..... Okay | |
|  Buzzer warning Red LED flashing |  Alarm siren sounds Red light flashing | Alarm Conditions: Door Open without Door Access Key Ignition Off Door Access Key..... Armed Door (sensor)..... Open Siren Status..... Okay Door Sensor Status..... Okay | |
|  Green LED blinking |  Green light blinking | Cargo Loading Conditions: Okay Ignition Off Door Access Key..... Disarmed Door (sensor)..... Open Siren Status..... Okay Door Sensor Status..... Okay | |

| LED/Alarm Status | | Logic | |
|--|--|---|---|
| | | | |
|  Buzzer warning |  Alarm siren sounds | Alarm Conditions: Ignition On while Door is Open Ignition On Door Access Key On or Off Door (sensor) Open Siren Status Okay Door Sensor Status Okay | Alarm Conditions: Ignition On while Door is Open Ignition On Door Access Key On or Off Door (sensor) Open Siren Status Okay Door Sensor Status Okay |
|  Yellow LED blinking |  Yellow light blinking | Siren Hardware Error: Ignition Off Door Access Key Armed Door (sensor) Closed Siren Status Error Door Sensor Status Okay | Siren Hardware Error: Ignition Off Door Access Key Armed Door (sensor) Closed Siren Status Error Door Sensor Status Okay |
|  Yellow LED blinking |  Yellow light blinking | Door Sensor Hardware Error: Ignition Off Door Access Key Armed Door (sensor) Closed Siren Status Okay Door Sensor Status Error | Door Sensor Hardware Error: Ignition Off Door Access Key Armed Door (sensor) Closed Siren Status Okay Door Sensor Status Error |

SAFEFREIGHT INSTALLATION GUIDE

| LED/Alarm Status | | Logic |
|---|---|---|
| Inside Cab | Outside Cab | |
| <p>Note: Alarm Condition and Alarm outputs are unchanged by hardware error detection. However, when no alarm condition is present, the LEDs indicate the hardware error condition with blinking yellow lights.</p> | | |
|  Solid green LED |  Solid green LED | Truck ignition is on, door is closed, and the door access key is armed. |

For normal door access:

1. Turn the ignition off
2. Turn door access key to disarmed
3. Open the door

To secure the door:

1. Close the door
2. Turn door access key to armed
3. Turn the ignition on

SAFEFREIGHT INSTALLATION GUIDE

LIMITED COMMERCIAL WARRANTY POLICY

MCE Purkeys FE, LLC (hereafter “Purkeys”), warrants each product to be free of defects in material or workmanship under normal use and service. This warranty is for the benefit of Original Equipment Manufacturers, Dealers, Warehouse Distributors, Fleets, or other End Users (hereafter “Customers”) and covers products manufactured by Purkeys and sold new to Customers either directly by Purkeys or by its authorized dealers, distributors, or agents. The length of the Warranty Period is 36 months.

The warranty period commences on the in-service or install date and is not transferable. Failure to provide the in-service or install date on the warranty claim form will cause the warranty period to begin on the date the part was manufactured, or date of sale recorded on the original sales invoice, whichever is earlier.

A completed warranty claim form should accompany all parts submitted to Purkeys for consideration for repair or replacement under warranty. The submitted claim form should contain all of the information required. Lack of a properly or fully completed claim form will result in delay or denial of warranty claim. Claims must be submitted no later than 30 days after part is removed.

This warranty does not apply if, in sole judgement of Purkeys, the product has been damaged or subjected to accident, faulty repair, improper adjustment, improper installation or wiring, neglect, misuse, or alteration or if the product failure is caused by defects in peripheral vehicle components or components attached to the Product or failure of a part not manufactured by Purkeys.

This warranty shall not apply if any Purkeys product is used for a purpose for which it is not designed or is in any way altered without the specific prior written consent of Purkeys. ANY product alleged by a Customer to be defective must be inspected by Purkeys as a part of the warranty claims process in order to confirm that the part has failed as a result of a defect in material or workmanship.

Transportation for products and parts submitted to Purkeys for warranty consideration must be prepaid by Customer. Repaired or replaced products and or components will be returned to Customer pre-paid by Customer or “freight collect” to the address provided by Customer in the warranty claim form. No charge will be made for labor or material in effecting such repairs.

The Warranty provided by Purkeys hereunder is specifically limited to repair or replacement of the Product as Purkeys deems most appropriate in its sole discretion. Purkeys neither assumes nor authorizes any other person to assume on its behalf any other warranty or liabilities in connection with Purkeys products. The Warranty does not apply to fuses or other “consumable” or maintenance items which are or may be a part of any Purkeys product.

THIS WARRANTY DOES NOT APPLY TO LOSS OF VEHICLE OR EQUIPMENT, LOSS OF TIME, INCONVENIENCE, OR OTHER INCIDENTAL OR CONSEQUENTIAL DAMAGES. PURKEYS SPECIFICALLY DISCLAIMS AND SHALL NOT BE LIABLE FOR INCIDENTAL OR CONSEQUENTIAL DAMAGES arising out of or from the use of Purkeys products by the Customer.

THIS LIMITED WARRANTY IS IN LIEU OF ALL OTHER WARRANTIES, INCLUDING COMMON LAW WARRANTIES OF FITNESS FOR A PARTICULAR PURPOSE, MERCHANTABILITY, AND ANY OTHER EXPRESS OR IMPLIED WARRANTIES. ALL OTHER SUCH WARRANTIES ARE SPECIFICALLY DISCLAIMED.

This Limited Commercial Warranty supersedes all previous Warranty Policies issued by Purkeys and any of its suppliers.



WATT Keeps You Trucking