

LITHIUM-ION BATTERY DATASHEET

AVAILABLE IN:

125 Ah
12V

Group 31 Battery
Drop-in Replacement

Optional Heater
(881-0180-12)



MORE POWER IN LESS SPACE

The Xantrex Lithium-Ion Iron Phosphate (LiFePO₄) Battery uses UL1793¹ certified cells. Equipped with redundant safety features, the Xantrex Lithium-Ion Battery is the safest in the market today. Specifically designed to withstand the harsh operating environments of marine and vehicle applications, the Xantrex Lithium-Ion Battery lasts up to 6,000 cycles² compared to a traditional lead acid or AGM battery, which typically lasts 400–500 cycles. The Xantrex Lithium-Ion Battery offers exceptional power density and is also available with a heating blanket option if installation is outside the main cabin.

★ Internal BMS - reduces footprint

📊 Cell Balancing - extends lifetime of battery

💡 LED's to Monitor State of Charge

📱 Remote Panel - view status of battery, turn battery on and off

📱 Connect to the Xantrex mobile app to view status of battery

📱 Parallel Stack up to 4 batteries

APPLICATIONS:



10 YEAR WARRANTY³

www.xantrex.com
CUSTOMER CARE: 1.800.670.0707



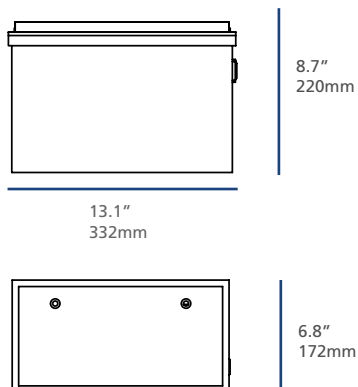
AVAILABLE NOW
XANTREX APP

- Connect via smartphone
- Monitor battery

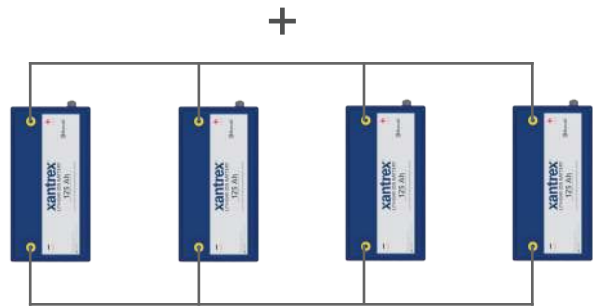
DOWNLOAD ON



12V 125AH DIMENSIONS



PARALLEL STACK UP TO 4 BATTERIES



MAXIMUM 36VDC SERIES STACK IN SPECIFIC APPLICATIONS

BATTERY SPECIFICATIONS

Part Number	883-0125-12
Battery Voltage	12V
Nominal True Capacity	125Ah
Nominal Voltage	12.8 Volts
Nominal Watt Hours	1600Wh
Internal Impedence	<5mΩ
Charge Voltage	14.6V
Recommended Float Charge Voltage	13.6V
Recommended Charge Current	≤62.5A
Allowed Max Charge Current	100A
Output Voltage Range	10.0 - 14.6V
Recommended Discharge Current	≤62.5A
Max Continuous Discharge Current	100A
Pulse Discharge Current	200A (3s)
Discharge Cut-off Voltage	10V
Cycle Life to 80% Health	2500 (0.5C, 25°C, 80% Depth of Discharge) - increased cycle life with ideal conditions

ENVIRONMENTAL

Charging Temperature Range	32 – 140°F (0 – 60°C)
Discharging Temperature Range	-4 – 140°F (-20 – 60°C)
Storage Period 1 Week	-4 – 113°F (-20 – 45°C)
Storage Period 1 Month	14 – 113°F (-10 – 45°C)
Storage Period 6 Months	50 – 77°F (10 – 25°C)

MECHANICAL

Dimensions	13.1" x 6.8" x 8.7" (332mm x 172mm x 220mm) G31
Weight	29.8lbs (13.5kg)
Battery Terminals	M8 x 1.25
Carrying Capability	Strap
Mounting Orientation	Horizontal or Vertical

CERTIFICATION

U.N. International Approval	UN/DOT 38.3 Lithium Ion
UL1973 Certified Cells	File MH62898; Model CB320 or File MH64445; Model LP33200173

CONTACT

CUSTOMER SERVICE

1.800.670.0707
 customerservice@xantrex.com
 Hours of operation:
 6:30am - 4:30pm PST, Monday to Friday



facebook.com/Xantrex



@Xantrex



youtube.com/XantrexTechnology

LEARN MORE ON:

www.xantrex.com