

Technical Bulletin

Select Box

The Select liftgate charging system control box is undergoing a running change; customers may receive either version for a short time to eliminate supply issues. The current Select box is black in color, while the new Select box is white in color.

There are several updates included in the new Select box:

- Push through seals on the bottom of the box
- Separate external ground wire
- Different mounting pattern for the bracket, which will *not* allow you to just replace the box assembly*

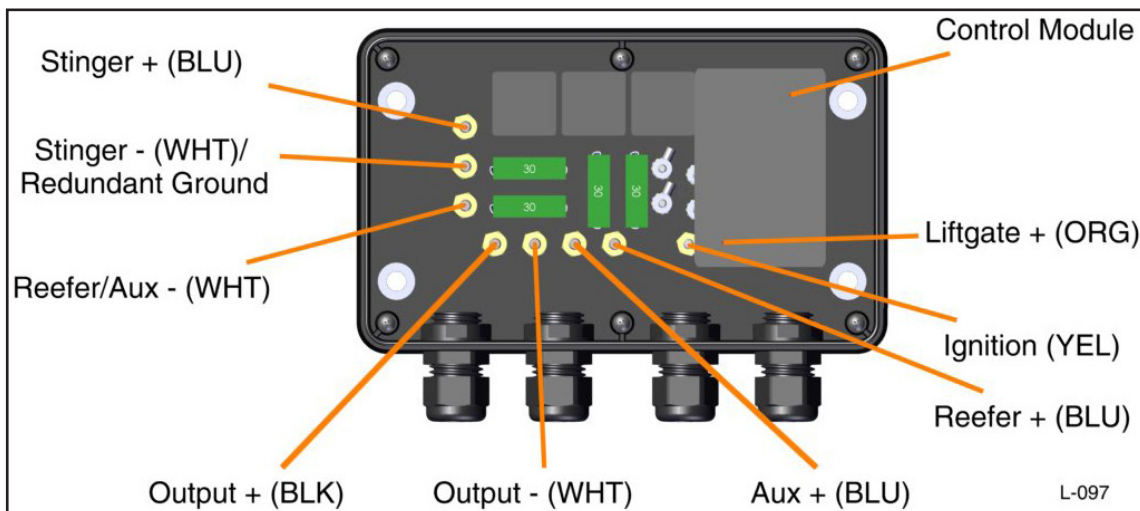
*To update from the current box to the new box, you will need to replace both the mounting bracket and the box as an assembly. The external ground wire will need to be connected to one of the box bracket mounting locations. The existing harnesses *can* be reused. See the box call outs below or in the part box (part number 300-96) for wiring details.



Current Select Box Design



Current Select Box Mounted



Current Select Box Wiring Call Outs

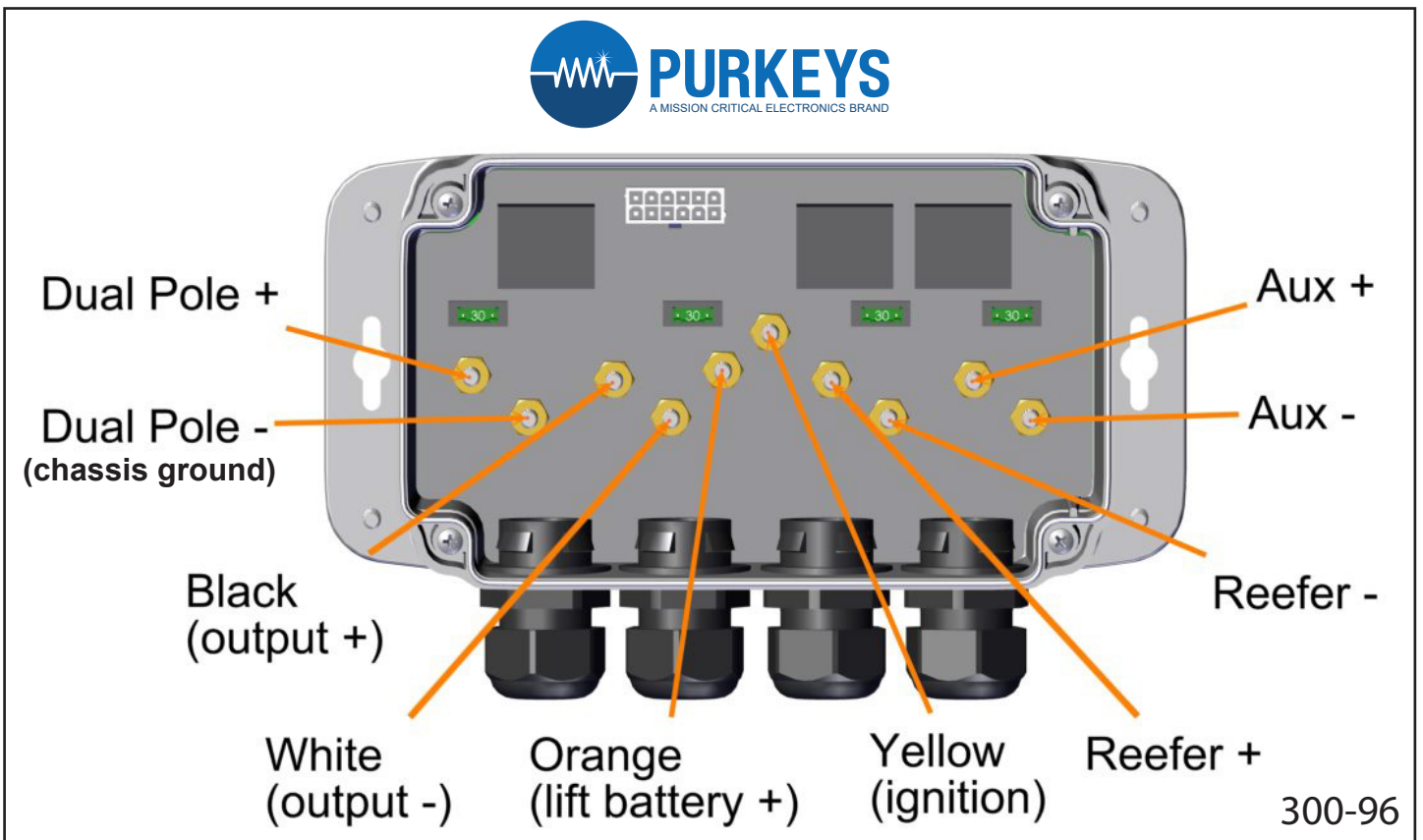
Please contact Purkeys' Technical Services Department if you have any questions.
Phone: 479-419-4800 | www.purkeys.net/contact/

Technical Bulletin

Select Box



New Select Box Ground Attachment



New Select Box Wiring Call Outs
Part Number 300-96