



Status Battery Indicator

The STATUS is a battery status indicator. It uses a screen to show numeric battery voltage and state of charge, and also has an LED that turns green, yellow/amber, or red to indicate battery health.



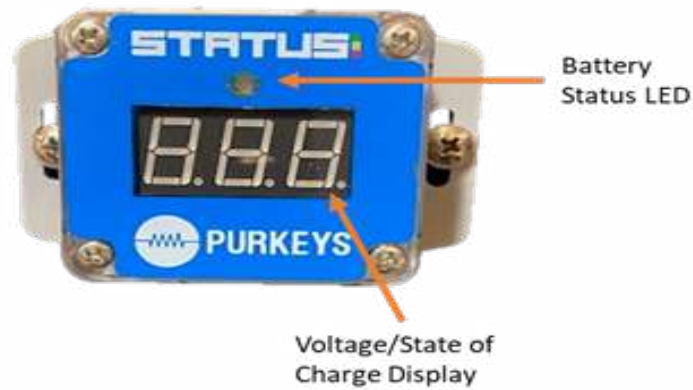
Specifications:

Voltage/Display Range.....	3V-16V	Operating Temperature Range	-40 to 75°C
Input Connections.....	Battery Pos+/Neg-	Current (Active Mode)	< 15mA
Over Voltage Protection	24V	Over Current Protection	2A (fused)
Reverse Polarity Protection.....	up to -24V	Dimensions	3.7 x 2.3 x 1.5 inches (W x L x H)

Battery Health LED Color Information:

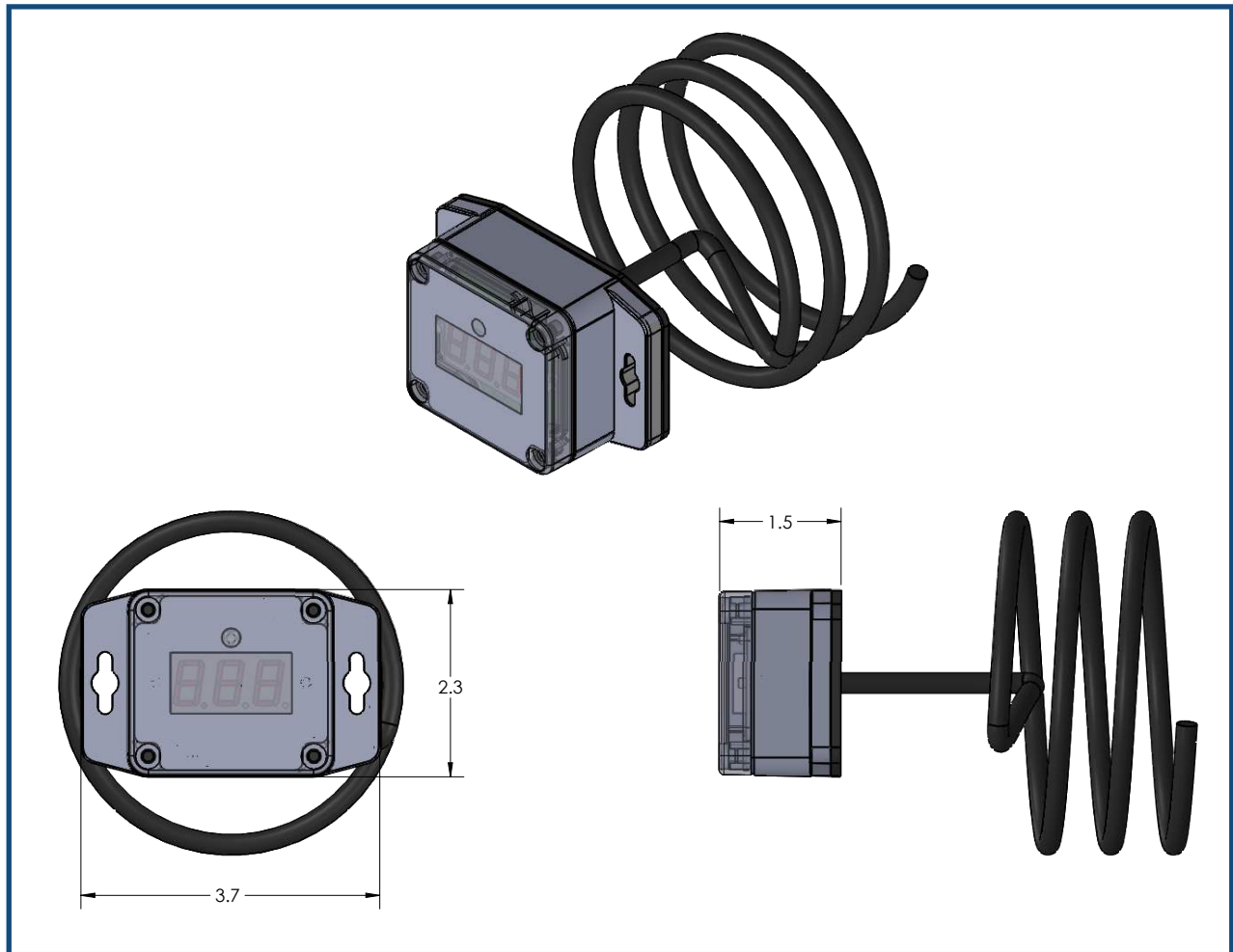
Voltage (displayed)	SOC % (displayed)	LED Color
11.2 V	LO	Slow Flashing Red
11.3 V	10%	Red
11.4 V	15%	Red
11.5 V	20%	Red
11.6 V	25%	Red
11.7 V	30%	Red
11.8 V	35%	Red
11.9 V	40%	Red
12.0 V	45%	Red
12.1 V	50%	Red
12.2 V	60%	Red
12.3 V	70%	Red
12.4 V	75%	Yellow/Amber
12.5 V	80%	Yellow/Amber
12.6 V	95%	Green
12.7 V	100%	Green
12.8 V – 14.9V	100%	Green
>15V	HI	Fast Flashing Red

LED Indication:



LED	Condition	Action Needed
Solid Green	Good voltage: 12.6 V and 14.9 V	None
Yellow/Amber	12.4 V - 12.5 V	Charge batteries soon
Red	Batteries in low state of charge (between 11.3 V and 12.3 V)	Charge batteries
Slow Flashing Red	Batteries extremely low (below 11.2 V)	Charge and test batteries
Fast Flashing Red	Overcharging (above 15 V)	Inspect the charging system
No LED	Open circuit from battery positive and Status or disconnected ground in battery box	Repair circuit by repairing the wire or replacing the fuse
Blue	System check (flashes on restart)	None

Drawing:



Features:

Designed to meet SAE J1455	Robust and Long Lasting
IP66 Rating.....	Designed for Harsh Weather Conditions
Digital Voltage Readout.....	Quick Indication of Measured Battery Voltage
Battery State of Charge Indication	Quick Indication of Battery Capacity
Low Power Operation.....	Reduces Parasitic Load on Battery
Long-Term Sleep Operation	Reduces Parasitic Load on Battery
Warranty: 3 years.....	Built to Last

Benefits: